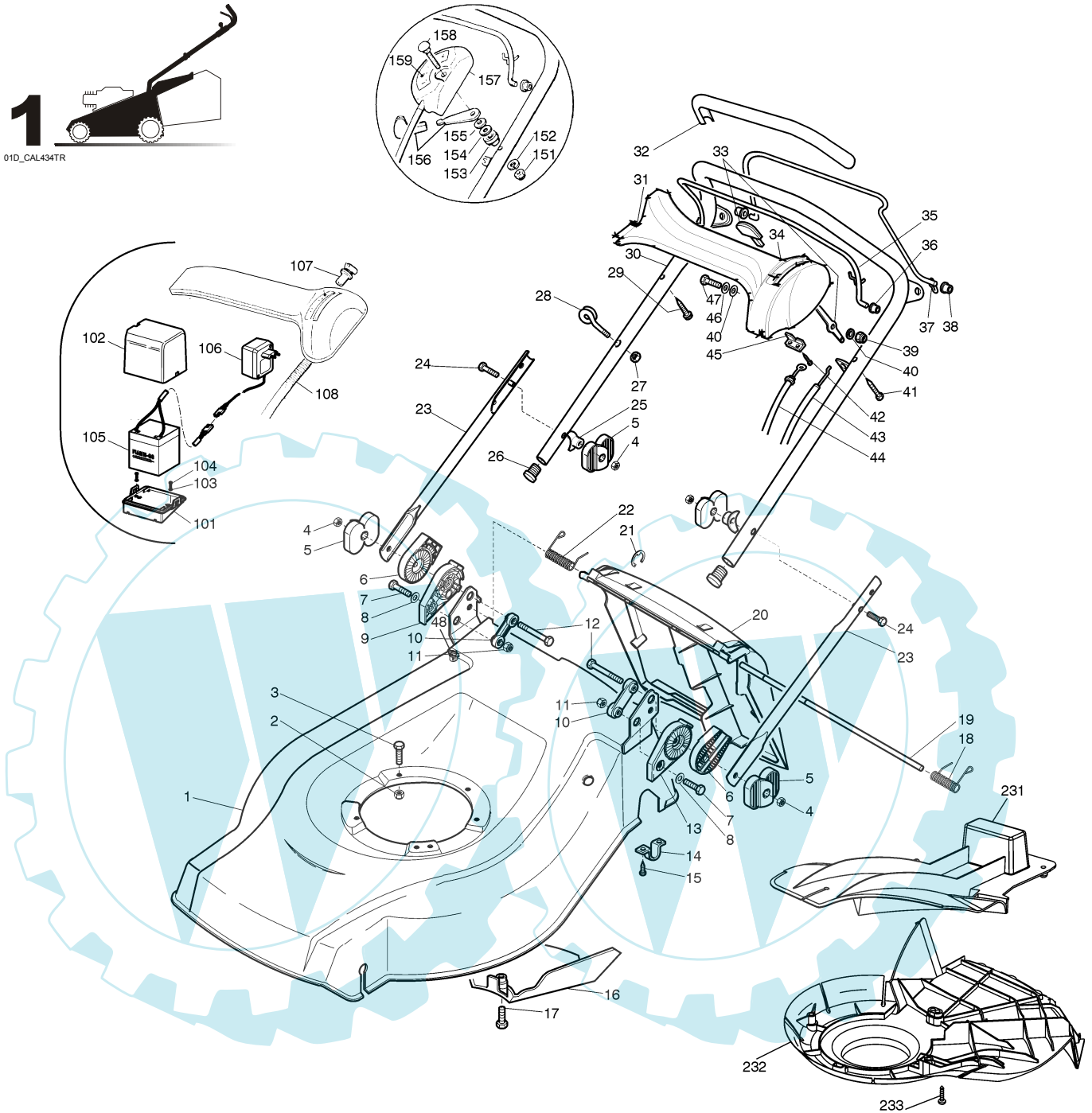


CAL 434 TR - CAL 484 TR/TR-E - CAL 534 TR/TR-E

94

GLOBAL GARDEN PRODUCTS



01T.032

Pos.	Code	Q.ty	Descrizione	Description	Description	Beschreibung	Remarks
1	81001901/0	1	CHASSIS ROSSO	DECK RED	CHÂSSIS ROUGE	GEHÄUSE ROTES	(CAL 434 TR)
-	81001902/0	1	CHASSIS GIALLO	DECK YELLOW	CHÂSSIS JAUNE	GEHÄUSE GELBES	(CAL 434 TR)
-	81001903/0	1	CHASSIS VERDE	DECK GREEN	CHÂSSIS VERT	GEHÄUSE GRÜNES	(CAL 434 TR)
-	81001819/0	1	CHASSIS GIALLO	DECK YELLOW	CHÂSSIS JAUNE	GEHÄUSE GELBES	(CAL 484 TR/CAL 484 TR-E)
-	81001820/0	1	CHASSIS VERDE	DECK GREEN	CHÂSSIS VERT	GEHÄUSE GRÜNES	(CAL 484 TR/CAL 484 TR-E)
-	81002424/0	1	CHASSIS ROSSO	DECK RED	CHÂSSIS ROUGE	GEHÄUSE ROTES	(CAL 484 TR/CAL 484 TR-E)
-	81002356/0	1	CHASSIS ROSSO	DECK RED	CHÂSSIS ROUGE	GEHÄUSE ROTES	(CAL 534 TR)
-	81002358/0	1	CHASSIS GIALLO	DECK YELLOW	CHÂSSIS JAUNE	GEHÄUSE GELBES	(CAL 534 TR)
-	81002360/0	1	CHASSIS VERDE	DECK GREEN	CHÂSSIS VERT	GEHÄUSE GRÜNES	(CAL 534 TR)
-	81002357/0	1	CHASSIS ROSSO	DECK RED	CHÂSSIS ROUGE	GEHÄUSE ROTES	(CAL 534 TR-E)
-	81002359/0	1	CHASSIS GIALLO	DECK YELLOW	CHÂSSIS JAUNE	GEHÄUSE GELBES	(CAL 534 TR-E)
-	81002361/0	1	CHASSIS VERDE	DECK GREEN	CHÂSSIS VERT	GEHÄUSE GRÜNES	(CAL 534 TR-E)
2	12293201/0	3/2	DADO	NUT	ECROU	MUTTER	
3	12691800/0	0/1	VITE	SCREW	VIS	SCHRAUBE	

CAL 434 TR - CAL 484 TR/TR-E - CAL 534 TR/TR-E



GLOBAL GARDEN PRODUCTS

01T.032

Pos.	Code	Q.ty	Descrizione	Description	Description	Beschreibung	Remarks
3	12793701/0	3/2	VITE	SCREW	VIS	SCHRAUBE	
4	12293202/0	4	DADO	NUT	ECROU	MUTTER	
5	22399803/0	4	MANOPOLINA	KNOB	POIGNÉE	GRIFF	
6	22785081/0	2	SUPPORTO ESTERNO	SUPPORT, EXTERNAL	SUPPORT EXTERNE	HALTER, AUßERE	
7	12793701/0	2	VITE	SCREW	VIS	SCHRAUBE	
8	12521350/0	2	RONDELLA	WASHER	RONDELLE	SCHEIBE	
9	22785082/0	1	SUPPORTO INTERNO DX	SUPPORT, R INTERNAL	SUPPORT INTERNE D	HALTER, INNERE R	
10	22551575/0	2	PIASTRINA INTERNA	PLATE, INSIDE	PLAQUETTE INTERNE	PLATTE, INNERE	
11	12155000/0	2	DADO	NUT	ECROU	MUTTER	
12	12691810/0	2	VITE	SCREW	VIS	SCHRAUBE	
13	22785083/1	1	SUPPORTO INTERNO SX	SUPPORT, L INTERNAL	SUPPORT INTERNE G	HALTER, INNERE L	
14	22545152/0	2	PIASTRINA	PLATE	PLAQUETTE	PLATTE	
15	12731350/0	4	VITE	SCREW	VIS	SCHRAUBE	
16	22060191/1	1	CARTER CINGHIA	PROTECTION, BELT	PROTECTION COURROIRE	SCHUTZ, RIEMEN	(CAL 434 TR)
-	22060195/0	1	CARTER CINGHIA	PROTECTION, BELT	PROTECTION COURROIRE	SCHUTZ, RIEMEN	(CAL 434 TR/CAL 484 TR-E)
-	22060196/0	1	CARTER CINGHIA	PROTECTION, BELT	PROTECTION COURROIRE	SCHUTZ, RIEMEN	(CAL 534 TR/CAL 534 TR-E)
17	12727791/0	1	VITE	SCREW	VIS	SCHRAUBE	(CAL 434 TR)
-	12728530/0	1	VITE	SCREW	VIS	SCHRAUBE	(CAL 484 TR/TR-E CAL 534 TR/TR-E)
18	22450420/1	1	MOLLA SX	L SPRING	RESSORT G	LINKE FEDER	
19	22517906/1	1	PERNO	PIN	PIVOT	BOLZEN	
20	22600063/1	1	PARASASSI	STONE-GUARD	PARE-PIERRES	PRALLBLECH	
21	12000930/0	1	ANELLO ELASTICO	SNAP RING	ANNEAU RESSORT	SPRENGRING	
22	22450410/1	1	MOLLA DX	R SPRING	RESSORT D	RECHTE FEDER	
23	81006975/0	2	MANICO, PARTE INF	HANDLE, LOWER PART	MANCHERON, PARTIE INFERIEURE	HOLM, UNTERTEIL	
24	12819125/0	2	VITE	SCREW	VIS	SCHRAUBE	
25	22680006/1	2	RONDELLA	WASHER	RONDELLE	SCHEIBE	
26	18566112/0	2	PUNTALE	CAP	BOUCHON	GUMMISTOPFEN	
27	12154330/0	1	DADO	NUT	ECROU	MUTTER	
28	22430309/0	1	MOLLA GUIDA	GUIDE SPRING	RESSORT DE GUIDE	FEDER FÜHRER	
29	22943006/0	1	VITE	SCREW	VIS	SCHRAUBE	
30	81006981/0	1	MANICO, PARTE SUP	HANDLE, UPPER PART	MANCHERON, PARTIE SUPERIEURE	HOLM, OBERTEIL	
31	22120172/0	1	CRUSCOTTO NERO	DASH BOARD BLACK	CONSOLE NOIRE	KONSOLE SCHWARZE	
-	22120173/0	1	CRUSCOTTO ROSSO	DASH BOARD RED	CONSOLE ROUGE	KONSOLE ROTE	
-	22120174/0	1	CRUSCOTTO GIALLO	DASH BOARD YELLOW	CONSOLE JAUNE	KONSOLE GELBE	
32	22291050/0	1	IMPUGNATURA MANICO NERA	HANDGRIP BLACK	POIGNÉE NOIRE	HANDGRIFF SCHWARZER	
-	22291051/0	1	IMPUGNATURA MANICO ROSSA	HANDGRIP RED	POIGNÉE ROUGE	HANDGRIFF RÖTER	
-	22291052/0	1	IMPUGNATURA MANICO GIALLA	HANDGRIP YELLOW	POIGNÉE JAUNE	HANDGRIFF GELBER	
33	81007280/2	1	LEVA, ACCELERATORE	LEVER, THROTTLE	LEVIER, ACCELERATEUR	HEBEL, BESHLEUNIGER	
34	14356744/0	1	ETICHETTA	LABEL	ETIQUETTE	ETIKETTE	(B&S)
-	14356743/0	1	ETICHETTA	LABEL	ETIQUETTE	ETIKETTE	(HONDA)
-	14357646/0	1	ETICHETTA	LABEL	ETIQUETTE	ETIKETTE	(TECUMSEH)
35	81003291/2	1	LEVA FRENO MOTORE	LEVER, MOTOR BRAKE	LEVIER FREIN MOTEUR	HEBEL, MOTORBREMSE	
36	22041966/0	1	BUSSOLA	BUSH	DOUILLE	BUCHSE	
37	81003288/1	1	LEVA TRAZIONE	LEVER, DRIVING	LEVIER TRACTION	HEBEL, ANTRIEB	
38	22041965/0	2	BUSSOLA	BUSH	DOUILLE	BUCHSE	
39	12154510/0	1	DADO	NUT	ECROU	MUTTER	
40	12523040/0	2	RONDELLA	WASHER	RONDELLE	SCHEIBE	
41	12728460/0	1	VITE	SCREW	VIS	SCHRAUBE	
42	12735105/0	2	VITE	SCREW	VIS	SCHRAUBE	
43	81007160/0	1	CAVO ACCELERATORE	CABLE, TROTTLE	CABLE, ACCELERATEUR	KABEL, BESCHLEUNIGER	
44	81000643/0	1	CAVO FRENO MOTORE	CABLE, THREAD MOTOR BRAKE	CABLE FREIN MOTEUR	KABEL, MOTORBREMSE	(B&S CLASSIC/SPRINT/LS/LC CAL 534 TR)
-	81000625/0	1	CAVO FRENO MOTORE	CABLE, THREAD MOTOR BRAKE	CABLE FREIN MOTEUR	KABEL, MOTORBREMSE	(B&S CLASSIC/SPRINT/LS/LC CAL 434 TR - CAL 484 TR)

CAL 434 TR - CAL 484 TR/TR-E - CAL 534 TR/TR-E

GLOBAL GARDEN PRODUCTS

01T.032

Pos.	Code	Q.ty	Descrizione	Description	Description	Beshreibung	Remarks
44	81000633/0	1	CAVO FRENO MOTORE	CABLE, THREAD MOTOR BRAKE	CABLE FREIN MOTEUR	KABEL, MOTORBREMSE	(B&S QUANTUM CAL 434 TR)
-	81000631/0	1	CAVO FRENO MOTORE	CABLE, THREAD MOTOR BRAKE	CABLE FREIN MOTEUR	KABEL, MOTORBREMSE	(B&S QUANTUM CAL 484 TR)
-	81000642/0	1	CAVO FRENO MOTORE	CABLE, THREAD MOTOR BRAKE	CABLE FREIN MOTEUR	KABEL, MOTORBREMSE	(B&S QUANTUM CAL 534 TR/TR-E)
-	81000641/0	1	CAVO FRENO MOTORE	CABLE, THREAD MOTOR BRAKE	CABLE FREIN MOTEUR	KABEL, MOTORBREMSE	(HONDA GCV 135/160 CAL 434 TR - CAL 484 TR)
-	81000640/0	1	CAVO FRENO MOTORE	CABLE, THREAD MOTOR BRAKE	CABLE FREIN MOTEUR	KABEL, MOTORBREMSE	(HONDA GCV 135/160 CAL 534 TR)
-	81000629/1	1	CAVO FRENO MOTORE	CABLE, THREAD MOTOR BRAKE	CABLE FREIN MOTEUR	KABEL, MOTORBREMSE	(TECUMSEH CAL 434 TR - CAL 484 TR/TR-E)
-	81000644/0	1	CAVO FRENO MOTORE	CABLE, THREAD MOTOR BRAKE	CABLE FREIN MOTEUR	KABEL, MOTORBREMSE	(TECUMSEH CAL 534 TR/TR-E)
45	22981467/0	1	PIASTRINA	PLATE	PLAQUETTE	PLATTE	
46	12530060/0	1	RONDELLA ELASTICA	ELASTIC WASHER	RONDELLE ELASTIQUE	ELASTISCHE SCHEIBE	
47	12791500/0	1	VITE	SCREW	VIS	SCHRAUBE	
48	22291150/0	1	INSERTO IN GOMMA	RUBBER INSERT	INSERT DE GAOUTCHOU	GUMMI EINSATZ	(CAL 484 TR/TR-E CAL 534 TR/TR-E)
—	81008609/0	1	DOTAZIONE VITERIA CRUSCOTTO	OUTFIT, DASH-BOARD SCREWS	DOTATION VISSERIE CONSOLLE	SATZ, KONSOLE SCHRAUBEN	
—	81008633/0	1	DOTAZIONE VITERIA	OUTFIT, SCREWS	DOTATION VISSERIE	SATZ, SCHRAUBEN	

VARIANTI PER AVVIAMENTO ELETTRICO - PARTS FOR ELECTIC START - COMPOSANTS POUR DÉMARRAGE ÉLECTRIQUE - ELEKTROSTART BESTANDTEILE

01T.008

Pos.	Code	Q.ty	Descrizione	Description	Description	Beshreibung	Remarks
101	22785123/0	1	SUPPORTO BATTERIA	SUPPORT, BATTERY	SUPPORT BATTERIE	HALTER, BATTERIE	(B&S - TECUMSEH CENTURA)
-	22785122/0	1	SUPPORTO BATTERIA	SUPPORT, BATTERY	SUPPORT BATTERIE	HALTER, BATTERIE	(TECUMSEH PRISMA)
102	22109530/0	1	COPERCHIO	COVER	COUVERCLE	DECKEL	
103	12521310/0	2	RONDELLA	WASHER	RONDELLE	SCHEIBE	(B&S - TECUMSEH CENTURA)
104	12731590/0	2	VITE	SCREW	VIS	SCHRAUBE	(B&S - TECUMSEH CENTURA)
-	12728520/0	2	VITE	SCREW	VIS	SCHRAUBE	(TECUMSEH PRISMA)
105	18120052/0	1	BATTERIA	BATTERY	BATTERIE	BATTERIE	
106	18204120/0	1	CARICA BATTERIA	BATTERY CHARGER	CHARGEUR DE BATTERIE	LADGERÄT	
107	18450050/0	1	INTERRUTTORE	SWITCH	INTERRUPTEUR	SCHALTER	
108	18204192/1	1	CAVO AVVIAMENTO	CABLE, START	CABLE DÉMARRAGE	KABEL, START	(B&S)
-	18204190/3	1	CAVO AVVIAMENTO	CABLE, START	CABLE DÉMARRAGE	KABEL, START	(TECUMSEH)

VARIANTE ACCELERATORE - THROTTLE MODIFICATION - MODIFICATION COMMANDE D'ACCELERATION - ÄNDERUNGEN AUF GASHEBEL

01T.005

Pos.	Code	Q.ty	Descrizione	Description	Description	Beshreibung	Remarks
151	12291000/0	1	DADO	NUT	ECROU	MUTTER	
152	12581500/0	1	GROWER	GROWER	GROWER	FEDERRING	
153	22171005/0	1	DISTANZIALE	SPACER	ENTRETOISE	DISTANZRING	
154	12521360/0	1	RONDELLA	WASHER	RONDELLE	SCHEIBE	
155	12508100/0	1	RONDELLA ELASTICA	SPRING WASHER	RONDELLE ELASTIQUE	ELASTISCHE SCHEIBE	
156	81007279/0	1	LEVA, ACCELERATORE	LEVER, THROTTLE	LEVIER, ACCELERATEUR	HEBEL, BESHLEUNIGER	
157	81007080/0	1	CAVO ACCELERATORE	CABLE, TROTTLE	CABLE, ACCELERATEUR	KABLE, BESCHLEUNIGER	
158	12815000/0	1	VITE	SCREW	VIS	SCHRAUBE	
159	14356703/0	1	ETICHETTA	LABEL	ETIQUETTE	ETIKETTE	(B&S)
-	14356702/0	1	ETICHETTA	LABEL	ETIQUETTE	ETIKETTE	(HONDA)
-	14356905/0	1	ETICHETTA	LABEL	ETIQUETTE	ETIKETTE	(TECUMSEH)

VARIANTE MULCHING - MULCHING MODIFICATION - MODIFICATION MULCHING - ÄNDERUNGEN MULCHING

01T.032

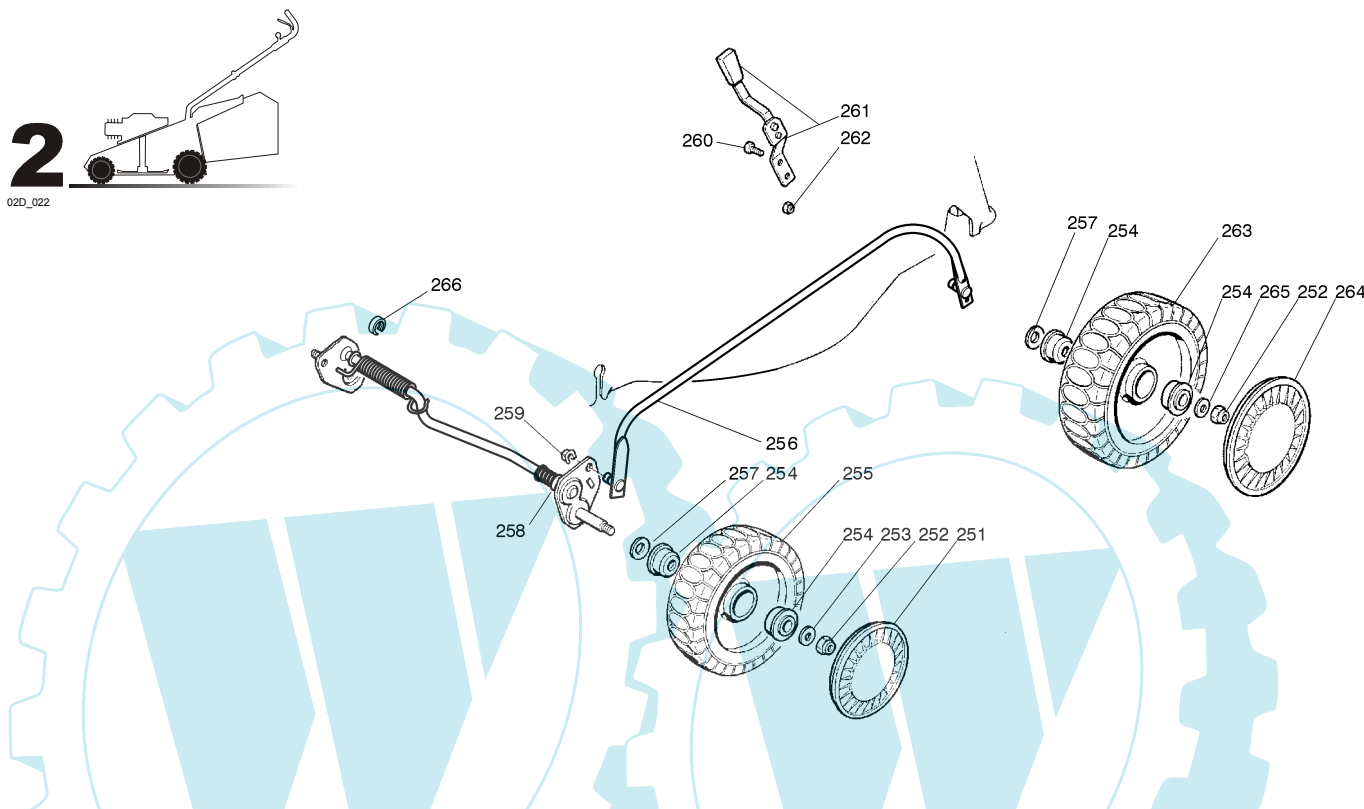
Pos.	Code	Q.ty	Descrizione	Description	Description	Beshreibung	Remarks
231	22140223/0	1	DEFLETTORE	DEFLECTOR	DEFLECTEUR	DEFLEKTOR	(CAL 484 TR/CAL 484 TR-E)

CAL 434 TR - CAL 484 TR/TR-E - CAL 534 TR/TR-E

GLOBAL GARDEN PRODUCTS

01T.032

Pos.	Code	Q.ty	Descrizione	Description	Description	Beschreibung	Remarks
231	22140222/0	1	DEFLETTORE	DEFLECTOR	DEFLECTEUR	DEFLEKTOR	(CAL 534 TR/CAL534 TR-E)
232	22060198/0	1	CARTER	PROTECTION	PROTECTION	SCHUTZ	(CAL 484 TR/CAL 484 TR-E)
-	22060197/0	1	CARTER	PROTECTION	PROTECTION	SCHUTZ	(CAL 534 TR/CAL534 TR-E)
233	12728530/0	2	VITE	SCREW	VIS	SCHRAUBE	



02T.020

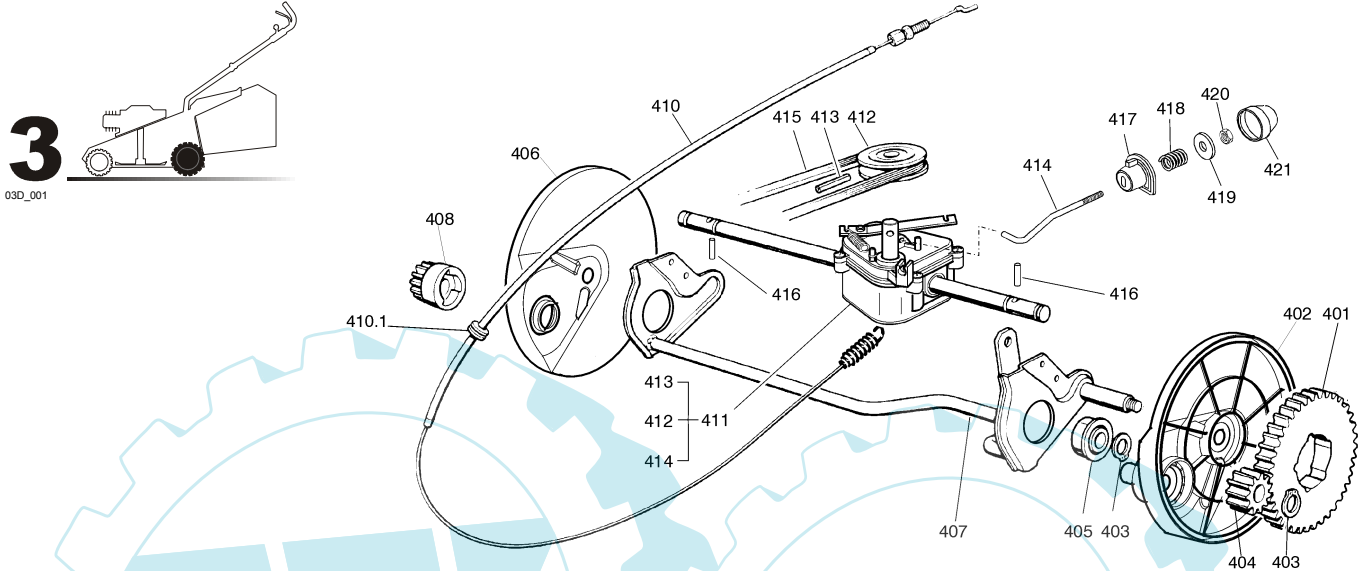
Pos.	Code	Q.ty	Descrizione	Description	Description	Beschreibung	Remarks
251	22110282/0	2	COPRIMOZZO BIANCO	HUB CAP WHITE	COUVRE-MOYEU BLANC	RADKAPPE WEIßE	
-	22110288/0	2	COPRIMOZZO GIALLO	HUB CAP YELLOW	COUVRE-MOYEU JAUNE	RADKAPPE GELBE	
-	22110290/0	2	COPRIMOZZO ROSSO	HUB CAP RED	COUVRE-MOYEU ROUGE	RADKAPPE ROTE	
-	22110300/0	2	COPRIMOZZO GRIGIO	HUB CAP GREY	COUVRE-MOYEU GRIS	RADKAPPE GRAU	
252	12155000/0	4	DADO	NUT	ECROU	MUTTER	
253	12521350/0	2	RONDELLA	WASHER	RONDELLE	SCHEIBE	
254	22122200/0	8	CUSCINETTO	BEARING	COUSSINET	LAGER	
255	81007336/0	2	RUOTA SCOLPITA Ø 170	WHEEL, KNOBBLY Ø 170	ROUE SCULPTEE Ø 170	RAD M. STOLLENPR. Ø 170	
256	81006485/0	1	ASTA COMANDO REGOL. ALTEZZA	ROD, HEIGHT ADJUSTMENT CONTROL	TIGE COMMANDE REGLAGE HAUTEUR	STANGE, HÖHEVERSTELLUNG	(CAL 434 TR)
-	81006481/1	1	ASTA COMANDO REGOL. ALTEZZA	ROD, HEIGHT ADJUSTMENT CONTROL	TIGE COMMANDE REGLAGE HAUTEUR	STANGE, HÖHEVERSTELLUNG	(CAL 484 TR/CAL 484 TR-E)
-	81006483/1	1	ASTA COMANDO REGOL. ALTEZZA	ROD, HEIGHT ADJUSTMENT CONTROL	TIGE COMMANDE REGLAGE HAUTEUR	STANGE, HÖHEVERSTELLUNG	(CAL 534 TR/CAL 534 TR-E)
257	12530150/0	4	RONDELLA ELASTICA	ELASTIC WASHER	RONDELLE ELASTIQUE	ELASTISCHE SCHEIBE	
258	81000145/0	1	ASSE RUOTE ANTERIORE	AXLE, FRONT WHEELS	AXE ROUES AVANT	ACHSE, VORDERRAD	(CAL 434 TR)
-	81000141/0	1	ASSE RUOTE ANTERIORE	AXLE, FRONT WHEELS	AXE ROUES AVANT	ACHSE, VORDERRAD	(CAL 484 TR/CAL 484 TR-E)
-	81000143/0	1	ASSE RUOTE ANTERIORE	AXLE, FRONT WHEELS	AXE ROUES AVANT	ACHSE, VORDERRAD	(CAL 534 TR/CAL 534 TR-E)
259	12436050/0	2	PIASTRINA	PLATE	PLAQUETTE	PLÄTTCHEN	
260	12789000/0	2	VITE	SCREW	VIS	SCHRAUBE	
261	81003283/1	1	LEVA REGOLAZIONE ALTEZZA	LEVER, HEIGHT ADJUSTMENT	LEVIER, REGLAGE HAUTEUR	HEBEL, HÖHEVERSTELLUNG	
262	12154330/0	2	DADO	NUT	ECROU	MUTTER	
263	81007337/0	2	RUOTA SCOLPITA Ø 210	WHEEL, KNOBBLY Ø 210	ROUE SCULPTEE Ø 210	RAD M. STOLLENPR. Ø 210	
264	22110281/0	2	COPRIMOZZO BIANCO	HUB CAP WHITE	COUVRE-MOYEU BLANC	RADKAPPE WEIßE	
-	22110287/0	2	COPRIMOZZO GIALLO	HUB CAP YELLOW	COUVRE-MOYEU JAUNE	RADKAPPE GELBE	
-	22110289/0	2	COPRIMOZZO ROSSO	HUB CAP RED	COUVRE-MOYEU ROUGE	RADKAPPE ROTE	

CAL 434 TR - CAL 484 TR/TR-E - CAL 534 TR/TR-E

GLOBAL GARDEN PRODUCTS

02T.020

Pos.	Code	Q.ty	Descrizione	Description	Description	Beschreibung	Remarks
264	22110301/0	2	COPRIMOZZO GRIGIO	HUB CAP GREY	COUVRE-MOYEU GRIS	RADKAPPE GRAU	
265	12369500/0	2	RONDELLA	WASHER	RONDELLE	SCHEIBE	
266	22171002/0	1	DISTANZIALE	SPACER	ENTRETOISE	DISTANZRING	



03T.008

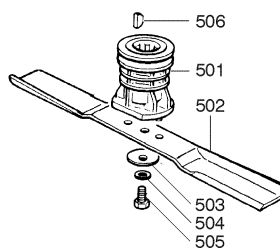
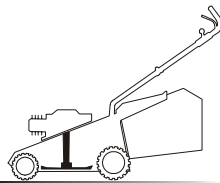
Pos.	Code	Q.ty	Descrizione	Description	Description	Beschreibung	Remarks
401	22120105/1	2	CORONA	RING GEAR	COURONNE	KRANZ	
402	22600093/0	1	PROT. RUOTE SX	PROTECTION, L WHEEL	PROTECTION ROUE G	SCHÜTZ, LINKES RÄDER	
403	12608600/0	4	SEEGER	SEEGER	SEEGER	SEEGER	
404	22570120/1	1	PIGNONE SX	PINION L	PIGNON G	RITZEL LINKES	
405	19216035/0	2	CUSCINETTO	BEARING	COUSSINET	LAGER	
406	22600092/0	1	PROT. RUOTE DX	PROTECTION, R WHEEL	PROTECTION ROUE D	SCHÜTZ, RECHTES RÄDER	
407	81000147/0	1	ASSE RUOTE POSTERIORE	AXLE, REAR WHEELS	AXE ROUES ARRIERE	ACHSE, HINTERRAD	
408	22570110/1	1	PIGNONE DX	PINION R	PIGNON D	RITZEL RECHTES	
410	81000645/0	1	CAVO COMANDO TRAZIONE	CABLE, REAR DRIVE	CÂBLE, COMMANDE TRACTION	KABEL, ANTRIEB	(BI. CI. DI.)
-	81001143/0	1	CAVO COMANDO TRAZIONE	CABLE, REAR DRIVE	CÂBLE, COMMANDE TRACTION	KABEL, ANTRIEB	(FRANCE REDUCTEURS)
410.1	18564510/0	1	PASSACAVO	FAIR LEAD	PASSE CABLE	KABELDURCHGANG	(BI. CI. DI.)
411	81003072/1	1	GRUPPO TRAZIONE (GRIGIO)	GEAR BOX (GREY)	GROUPE TRACTION (GRIS)	ANTRIEB (GRAU)	(BI. CI. DI.)
-	81003059/2	1	GRUPPO TRAZIONE	GEAR BOX	GROUPE TRACTION	ANTRIEB	(FRANCE REDUCTEURS)
412	22601904/0	1	PULEGGIA	PULLEY	POULIE	RIEMENSCHLEIBE	
413	12645705/0	1	SPINA	PIN	GOUPILLE	STIFT	
414	22033280/0	1	ASTA REGOLAZIONE	ADJUSTMENT ROD	TIGE REGLAGE	VERSTELLUNGSTANGE	
415	35063710/0	1	CINGHIA Z 25	BELT Z 25	COURROIE Z 25	RIEMEN Z 25	(CAL 434 TR)
-	35063800/0	1	CINGHIA Z 27	BELT Z 27	COURROIE Z 27	RIEMEN Z 27	(CAL 484 TR/CAL 484 TR-E)
-	35063902/0	1	CINGHIA Z 29.5	BELT Z 29.5	COURROIE Z 29.5	RIEMEN Z 29.5	(CAL 534 TR/CAL 534 TR-E)
416	22753000/0	2	SPINA	PIN	GOUPILLE	STIFT	
417	22041957/1	1	BUSSOLA	BUSH	DOUILLE	BUCHSE	
418	22450063/0	1	MOLLA	SPRING	RESSORT	FEDER	
419	22680009/0	1	RONDELLA	WASHER	RONDELLE	SCHEIBE	
420	12154510/0	1	DADO	NUT	ECROU	MUTTER	
421	22110230/0	1	TAPPO	CAP	BOUCHON	GUMMISTOPFEN	

CAL 434 TR - CAL 484 TR/TR-E - CAL 534 TR/TR-E

GLOBAL GARDEN PRODUCTS

5

05D_003

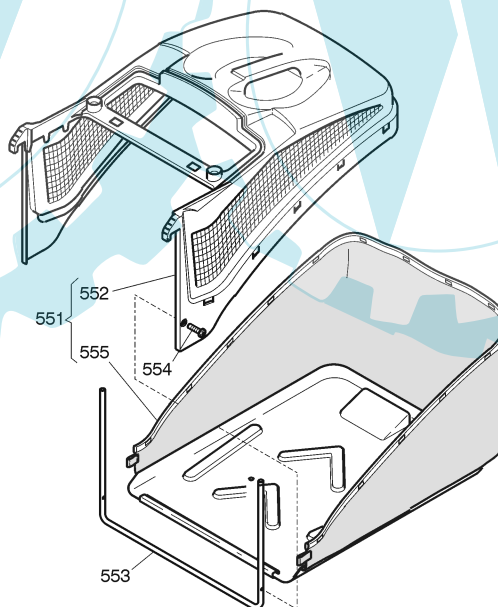
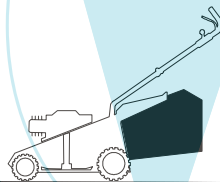


05T_015

Pos.	Code	Q.ty	Descrizione	Description	Description	Beschreibung	Remarks
501	22465607/0	1	MOZZO CON PULEGGIA	HUB WITH PULLEY	MOYEU AVEC POULIE	NABE MIT SCHEIBE	
502	81004341/3	1	COLTELLO STANDARD	BLADE STANDARD	LAME STANDARD	MESSER STANDARD	(41 cm)
-	81004396/0	1	COLTELLO ALETTATO	BLADE WINGED	LAME AILETTÉE	MESSER FLÜGEL	(41 cm)
-	81004346/3	1	COLTELLO STANDARD	BLADE STANDARD	LAME STANDARD	MESSER STANDARD	(46 cm)
-	81004397/0	1	COLTELLO ALETTATO	BLADE WINGED	LAME AILETTÉE	MESSER FLÜGEL	(46 cm)
-	81004381/1	1	COLTELLO STANDARD	BLADE STANDARD	LAME STANDARD	MESSER STANDARD	(51 cm)
-	81004398/0	1	COLTELLO ALETTATO	BLADE WINGED	LAME AILETTÉE	MESSER FLÜGEL	(51 cm)
503	22160400/0	1	DISCO ELASTICO	ELASTIC WASHER	RONDELLE ELASTIQUE	ELASTISCHE SCHEIBE	
504	12523080/0	1	RONDELLA	WASHER	RONDELLE	SCHEIBE	
505	12735698/0	1	VITE	SCREW	VIS	SCHRAUBE	
506	12139100/0	1	LINGUETTA	FEATHER	CLAVETTE	KEIL	

6

06D_003



06T_003

Pos.	Code	Q.ty	Descrizione	Description	Description	Beschreibung	Remarks
551	91000010/1	1	SACCO, COMPLETO	GRASSCATCHER, COMPLETE	SAC, COMPLETE	SACK, KOMPLETTE	
552	22486093/0	1	SACCO, PARTE SUP	GRASS-BOX, UPPER PART	SAC, PARTIE SUPERIEURE	KORB, OBERTEIL	
553	22608523/0	1	RINFORZO INF	STIFFENING LOWER	RÉNFORCEMENT INF	VERSTÄRKUNG UNTERE	
554	12728445/0	2	VITE	SCREW	VIS	SCHRAUBE	
555	81002195/0	1	SACCO, TELA	BOX, FABRIC	SAC, TOILE	SACK, TUCK	